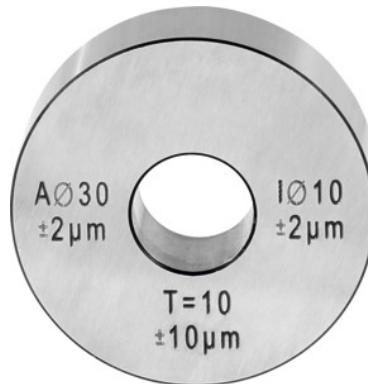


Calibration Setting master, Type: E**Order data**

Order number	028680 E
GTIN	2050002057388
Item class	49X

Description

Calibration Setting master E

Technical description

Calibration	L13
-------------	-----